

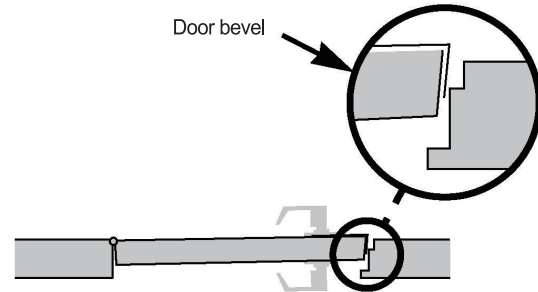
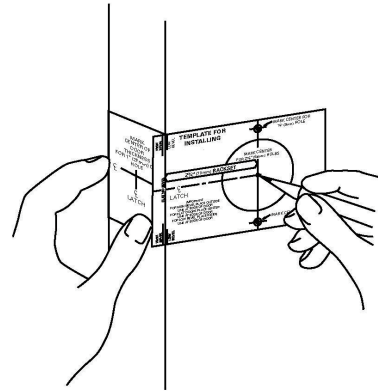
Instructions For Installing Cylindrical Lever Lockset

NOTE : Accurate door preparation is essential for proper functioning of this lock. Follow template and instructions carefully.

THRU-BOLTS ARE PROVIDED AND RECOMMENDED FOR USE ESPECIALLY ON HIGH TRAFFIC DOORS. THERE ARE THREE THRU-BOLT LOCATION OPTIONS

The lever anti-sagging mechanism within the lock chassis has a patent in the U.S and other countries.

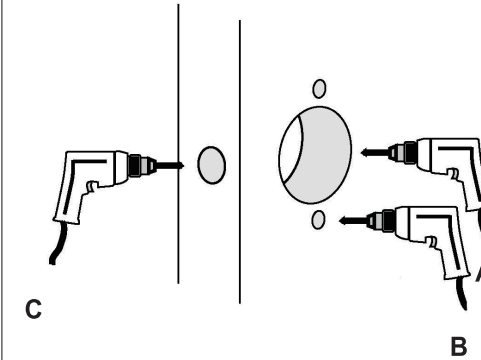
Door and jamb preparation



1. Mark door

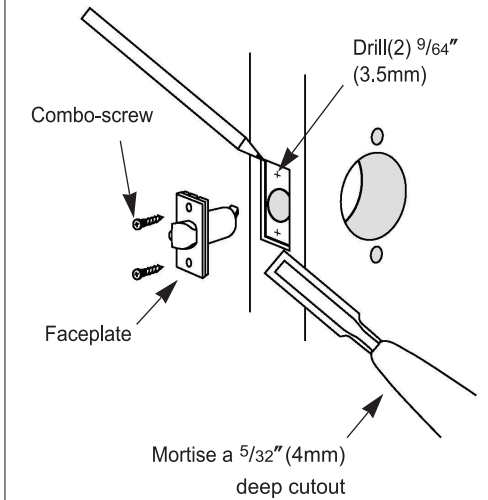
- Check lock for proper backset and thru-bolt locations before marking door.
- Detach "Door edge" Template from main template Card
- Fold main template on the desired line (Low, Flat, or High bevel line).
- Position template at the desired height from floor (Recommended height from floor is 38" (97cm)).
- Mark center for 2 1/8" (54mm) hole.
- Mark centers for (2) 5/16" (8mm) holes if thru-bolt are being used.
- Use "Door Edge" Template to mark 7/8" or 1" hole for latch bolt.

2. Drill holes



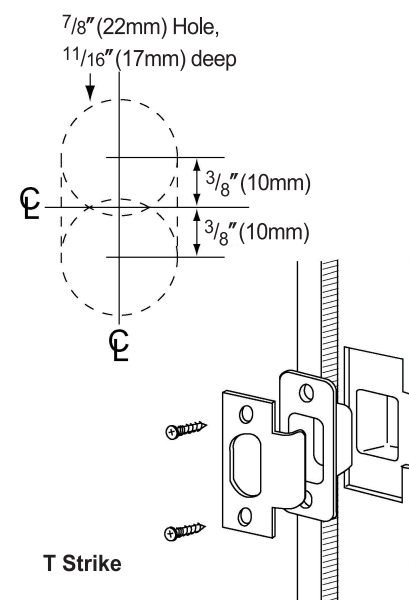
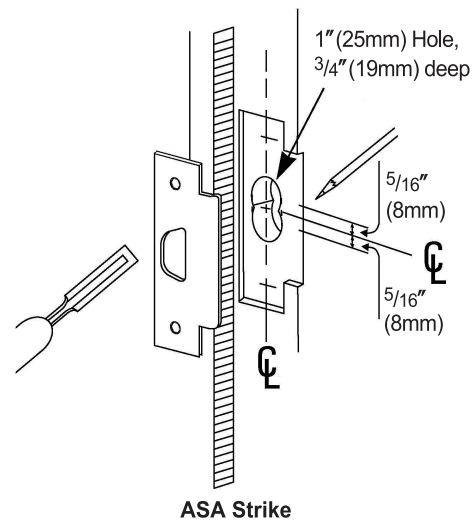
- Drill a 2 1/8" (54mm) hole through door (from both sides to avoid damaging door).
- Drill (2) 5/16" (8mm) holes for thru-bolt (if used)
- Drill a 1" (25mm) or 7/8" (22mm) (depending on latch housing diameter) in door edge.

3. Install latch



- Insert latch into hole. Trace around faceplate
- Chisel out wood until faceplate fits flat with door edge.
- Drill (2) 9/64" (3.5mm) holes and secure latch unit with combo-screws supplied.
- Fasten latch to door so that beveled side of latchbolt faces jamb.

4. Install strike

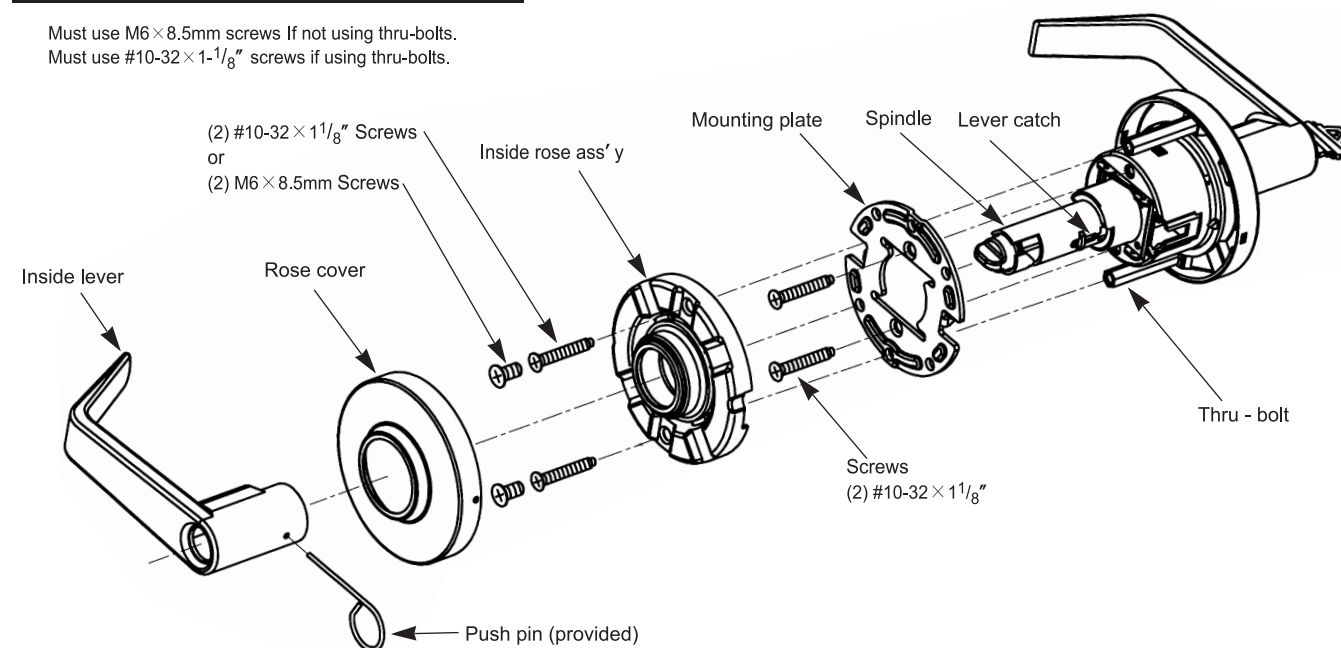


- Mark vertical line and heightline on jamb exactly opposite center of latch hole.
- Drill (2) 1" (25mm) holes, 3/4" (19mm) deep, 5/16" (8mm) above and below heightline.
- Use strike plate as pattern for cutout. Clean out hole and install strike.

- Mark vertical line and heightline on jamb exactly opposite center of latch hole.
- Drill (2) 7/8" (22mm) holes, 1 1/16" (17mm) deep, 3/8" (10mm) above and below heightline.
- Use strike plate as pattern for cutout. Clean out hole and install strike.

Lock Installation

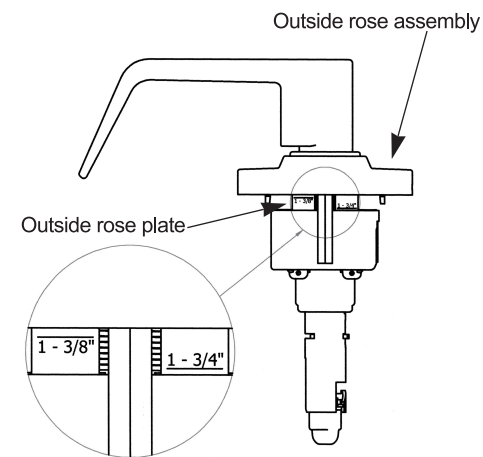
Must use M6 x 8.5mm screws If not using thru-bolts.
Must use #10-32 x 1-1/8" screws if using thru-bolts.



- Remove inside lever.
- Remove inside rose assembly.
- Remove mounting plate.
- Remove Thru-bolts if desired (not recommended).

5. Disassemble inside trim

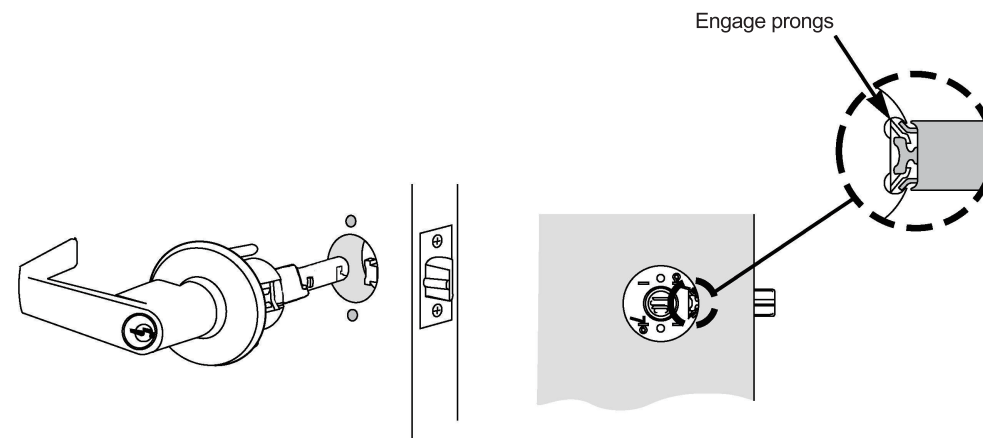
6. Adjust for door thickness



Lockset is factory preset for 1³/₄" (45mm) doors.

- A. Lock can be adjusted for door thickness range for 1³/₈" to 1³/₄"
- B. Rotate outside rose assembly until correct door thickness mark is aligned with the outside rose plate.

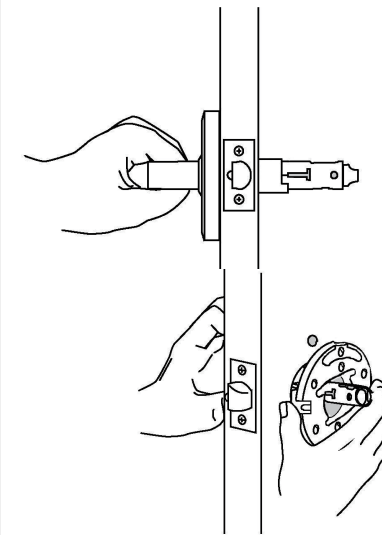
7. Install lock unit



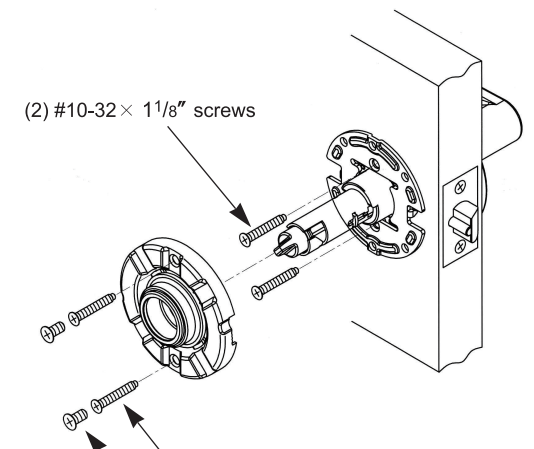
IMPORTANT : When inserting lock into the door, insure that the latch prongs engage in the chassis housing and the retractor engages into the latch bar.

- IMPORTANT** : This lock is factory preset for 1³/₄" (45mm) doors.
See Step 6. to center chassis in door or to change adjustment for other door thicknesses

8. Install mounting plate.



CAUTION : When using a power screwdriver for installation, set to minimum torque setting.

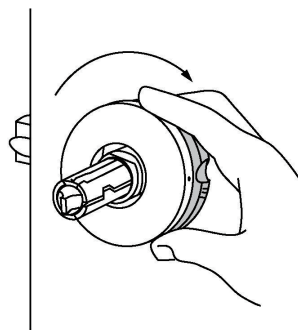


NOTE 1 : (2) #10 - 32 x 1¹/₈" screws (★)

NOTE 2 : (2) M6 x 8.5mm screws

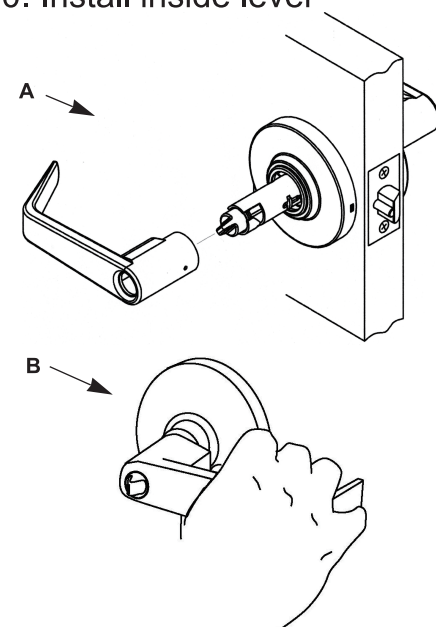
- A. Hold Lock in place in the door.
- B. Put mounting plate into position on chassis.
- C. Place mounting plate. Tighten it to lock body with (2) #10 - 32 x 1¹/₈" screws
- D. Place inside rose ass'y. Tighten it to lock body with screws supplied.
- NOTE 1** : (2) #10 - 32 x 1¹/₈" (★) screws can be used for outside thru - bolt type only.
- NOTE 2** : (2) M6 x 8.5mm screws can be used for no thru - bolt type only.

9. Install inside rose assembly



- A. Align dimples on rose with grooves in inside rose assembly.
- B. Place rose against door and rotate clockwise until dimples snap into slots next to the grooves.

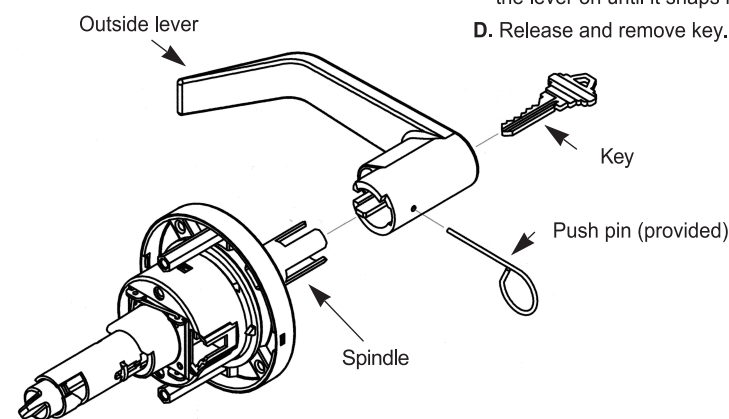
10. Install inside lever



- A. Slide inside lever onto spindle. Push lever completely into place. (Pull on lever to make sure that catch is fully engaged.)
- B. Test operation of lock to make sure you have followed instructions correctly.

How to remove & reassemble outside lever

11. Remove outside lever

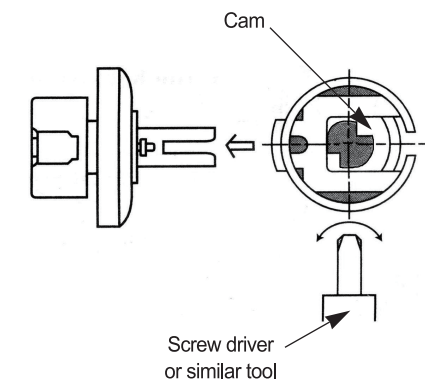


- A. Insert key into cylinder. Insert push pin (or similar tool) into hole in lever. Turn key one - quarter turn and push tool (push pin) to depress lever catch. Slide the lever from spindle.

12. Reassemble outside lever

- A. Put the cylinder into the outside lever. Then insert the key into the cylinder.
- B. Slide lever onto the outside spindle until the cylinder tailpiece engages into the slot inside the spindle.
- C. Turn the key a quarter turn and hold in that position. At the same time depress the lever catch and push the lever on until it snaps into place.
- D. Release and remove key.

CAUTION FOR CLASSROOM FUNCTION



IMPORTANT : Turn cam anti-clockwise as far as it will go before installing outside lever and cylinder